

LC + Load Cell

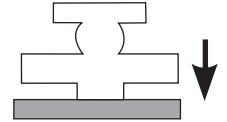
Mode of Connection

Input+: Red
 Input-: White
 Output+: Green
 Output-: Black

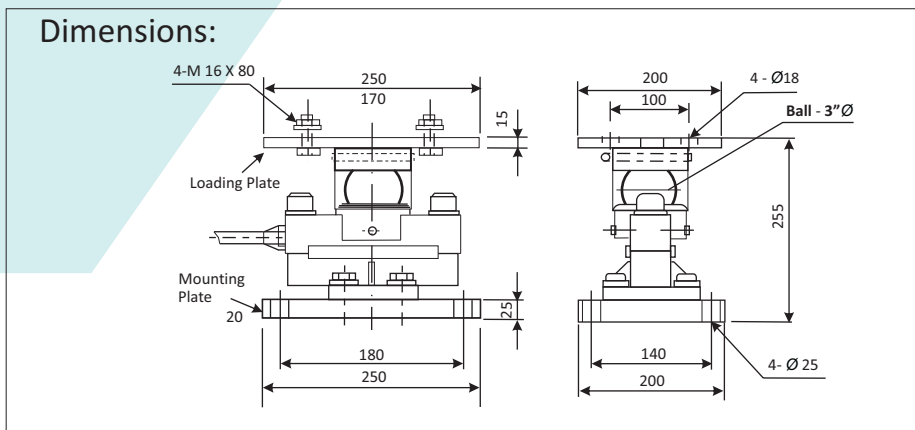
Input Impedance: $775 \pm 5\Omega$
 Output Impedance: $700 \pm 5\Omega$

Double-Enden Shear Beam Load Cell

Ideally suited for weighbridge & Tank weighing
 Protection Class Ip67 & Ip68
 Tool Steel Construction
 Capacity 20t, 25t & 30t



Dimensions:



Specifications:

| | |
|-----------------------------|--|
| Rated Capacity (tons) | 20, 25 & 30tons |
| Rated Output | $2.0 \pm 0.001\text{mv/V}$ |
| Total Error | 0.02 % F.S |
| Non-linearity | 0.02 % F.S |
| Hysteresis | 0.02 % F.S |
| Non-repeatability | 0.01 % F.S |
| Creep | 0.02 % F.S / 30 min |
| Zero Balance | $\pm 1\%$ F.S |
| Operating Temperature Range | $-20^{\circ}\sim+65^{\circ}\text{C}$ |
| Compensated Temp Range | $-10^{\circ}\sim+40^{\circ}\text{C}$ |
| Temperature Effect on Load | 0.02 % F.S |
| Temperature Effect on Zero | 0.02 % F.S |
| Construction | Alloy Steel |
| Cable Length | $\varnothing 7 \pm 0.3$ mm, 4core, 20meter |

Reliable and Rugged! 