

SB-Series

Precision Balance

Standard features:

- With g, ct, oz, dwt 14 units conversion function.
- More than 4 units can be added.
- Classic application mode--counting and percentage .
- Accessory: Manual, Adaptor, S.S. pan.
- AC/DC power available, dry batteries, Adaptor.
- With counting function, tare within full capacity
- LCD display with white back light.
- RS232 interface (Optional).



Model	Capacity	Readability	Pan Size	Windbreak
SB-150	150 gm	0.05 gm	Ø128mm	tri-gate glass
SB-300	320 gm	0.01 gm	Ø128mm	tri-gate glass
SB-600	620 gm	0.01 gm	Ø128mm	tri-gate glass
SB-2000	2200 gm	0.01 gm	Ø128mm	tri-gate glass
SB-3000	3200 gm	0.01 gm	Ø128mm	tri-gate glass
SB-4000	4200 gm	0.1 gm	153 x 173mm	No Windbreak
SB-5000	5200 gm	0.1 gm	153 x 173mm	No Windbreak
SB-6000	6200 gm	0.1 gm	153 x 173mm	No Windbreak

Options:

- RS232 interface cable (optional)
- tri-gate glass windbreak mantle h:155mm
- Removable plastic windbreak mantle (optional)
- With the function of bottom weighing (optional)
- extra display (optional)

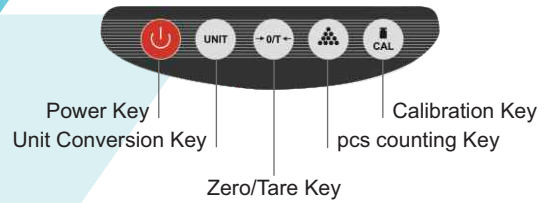


Reliable and Rugged! 

SB-Series

Precision Balance

Keypad detail:

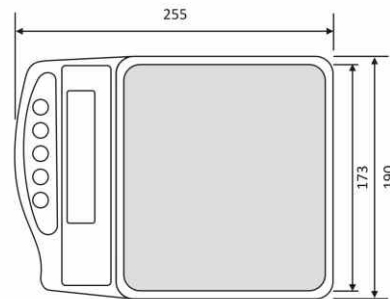
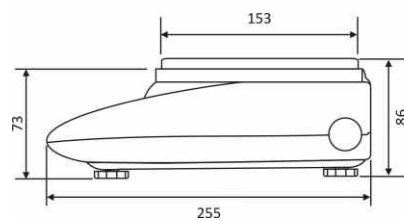
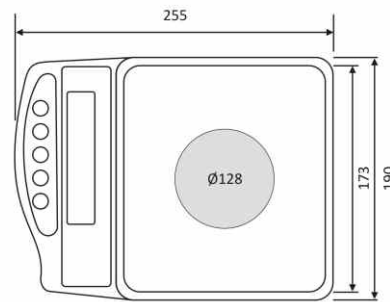
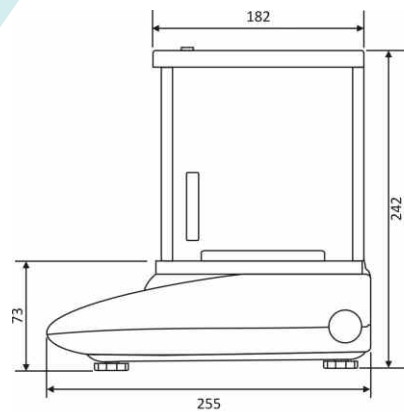


Display detail:



- 1- Stability
- 2- minus weight
- 3- zero
- 4- low battery
- 5- alarm
- 6- tare
- 8- low
- 9- ok
- 10- high
- 11- pcs counting

- 12- percentage
- 13-unit pound
- 14-unit Oz
- 15-unit Grain
- 16- unit tola
- 17- unit carat
- 18-TAR
- 19-HI
- 20-kg & gm
- 21-weight



Reliable and Rugged! **CE**